



Eagle Lighting Inc. Lighting the Way with Value

1782 East Person Memphis, TN 38114 Phone (901) 948-3225 & Fax (901) 946-3003

1000W ROUND BACK FLOOD

Design Features:

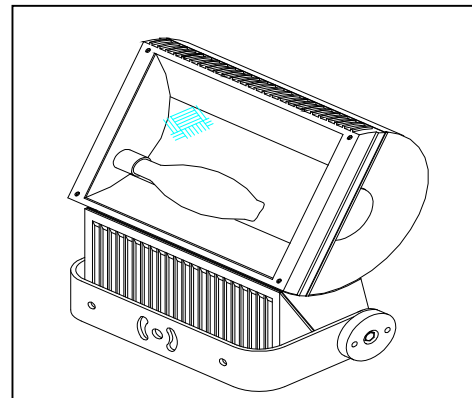
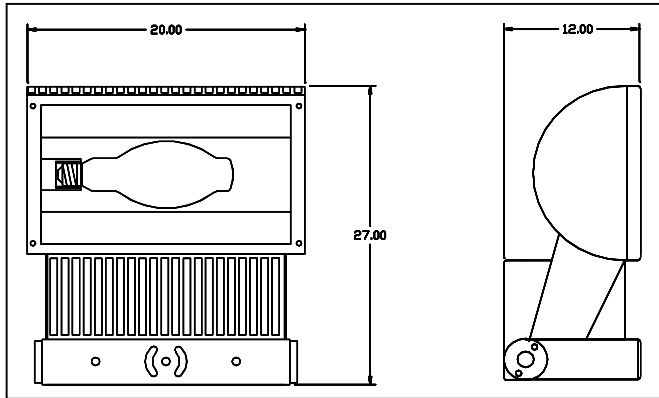
Rugged **die-cast aluminum** housing for durability with Power Coat paint finish for corrosion resistance.
 Adjustable one bolt mounting for crossarms.
 One Piece **Aluminium Anodized Reflector**
 Tempered Glass Lens
 Horizontal & Vertical Aim Indicators
 Meets **UL 1572** for Wet Locations
Photometric Reports & Files available upon request.
 Suitable for **1000W MH & HPS Max**
 Optional 5ft. **Quick-Connect Cord**

Applications:

Stadiums, Sports Fields, Speedways
 Storage Areas, Public Parks

Owner Benefits:

VALUE - high benefit to cost ratio with proven system design & components - **Made in USA**
 Full **One Year Warranty** - Environmentally friendly
 Each luminaire is tested before shipping
HID Lamp Included.



1 PER CARTON

EPA = 3.70

WEIGHT = 46.10 lbs.

ORDERING INFORMATION

<u>Product</u>	<u>Wattage</u>	<u>Lamp</u>	<u>Voltage</u>	<u>Cord</u>
SF SportFlood	1000 1000W	MH Metal Halide	240 240 Volt	0 None

Ordering Options

<u>Product</u>	<u>Wattage</u>	<u>Lamp</u>	<u>Voltage</u>	<u>Cord</u>
SF = Sports Flood	40 = 400W 1X = 1000W 15X = 1500W	HP = HPS MV = Mercury MH = Metal Halide	120 = 120V 208 = 208V 240 = 240V 277 = 277V 480 = 480V MT = 120/208/240/277	None = 0 QC = 1 HW = 2

<u>Lamp Type</u>	<u>ANSI</u>	<u>Lamp Watts</u>	<u>Volts</u>	<u>Line Amps (Oprtn)</u>	<u>Input Watts</u>	<u>Circuit Type</u>
Metal Halide	M59 OR H33	400	120/208/240/277/480	4.0 / 2.3 / 2.0 / 1.7 / 1.0	458	CWA
Metal Halide	M47 OR H36	1000	120/208/240/277/480	9.0 / 5.0 / 4.6 / 4.0 / 2.3	1060	CWA
Metal Halide	M48	1500	120/208/240/277/480	14.0 / 8.0 / 7.0 / 6.0 / 3.6	1610	CWA

Project: _____

Date: _____

Approved by: _____