



FL400W COMPACT FLOOD

Design Features:

Die-Cast Aluminum housing for durability with Chromate Conversion Coating, Textured Bronze Finish
 Die-Cast Aluminium Lens Frame
 One Piece Anodized Aluminium Reflector
 Porcelain MOGUL 5KV Base Socket
 High Impact Tempered Glass Lens
 Adjustable Swivel or Slip Fitter Optional
 Meets UL 1572 requirements for Wet Locations
 Ideal for 400W HPS or Metal Halide
 6H x 7V Nema Distribution Standard.

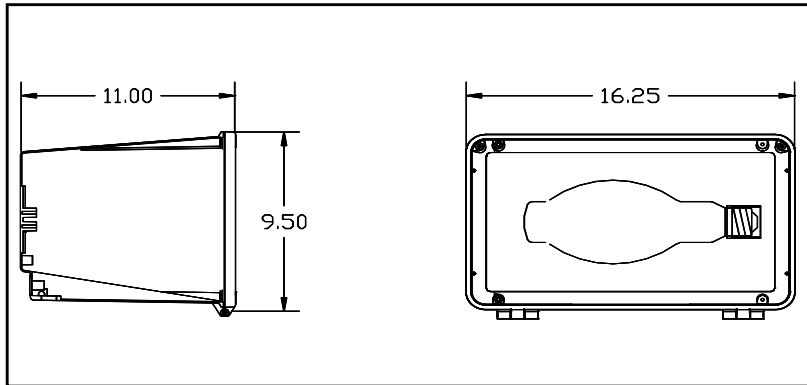
Applications:

Buildings, Parks, Signs, Backyards and Other General Flood Lighting Applications

Owner Benefits:

VALUE - high benefit to cost ratio with proven system design & components - **Made in USA**
 Full **One Year Warranty** - Environmentally friendly
 Each luminaire is tested before shipping
LAMP INCLUDED.

EPA-1.00 FT CU
 18-20 LBS EA



DIMENSIONS

ORDERING INFORMATION

Product Wattage Lamp Voltage Accessories

Example: **FL400SW** **40** **HPS** **120** **WG**
 400 WATT High Pressure Sodium 120 VOLT Wire Guard

Ordering Options

	<u>Product</u>	<u>Wattage</u>	<u>Lamp</u>	<u>Voltage</u>	<u>Accessories</u>
SLIP FITTER MOUNT	FL400 SW =	40 = 400W 25 = 250W	HP = HPS MH=Metal Halide INC=Incandescent	120 = 120V 208 = 208V 240 = 240V 277 = 277V 480 = 480V MT = 120/208/240/277	GS=Glare Shield WG=Wire Guard PC=Photocontrol
SWIVEL MOUNT	FL400 BR =				

Lamp Type	ANSI	Lamp Watts	Volts	Line Amps (Oprtng)	Input Watts	Circuit Type
Metal Halide	M58 OR H37	250	120/208/240/277/480	2.5/ 1.4/ 1.25/ 1.1/ .65	280	CWA
HPS	S50	250	120/208/240/277/480	2.5/ 1.4/ 1.2/ 1.1/ .60	300	CWA
Metal Halide	M59 OR H33	400	120/208/240/277/480	4.0 /2.3 /2.0 /1.7 /1.0	458	CWA
HPS	S51	400	120/208/240/277/480	4.0 /2.2 /1.9 /1.6 /1.0	465	CWA

Project: _____
Date: _____
Approved by: _____