



# Eagle Lighting Inc. Lighting the Way with Value

1782 East Person Memphis, TN 38114 Phone (901) 948-3225 & Fax (901) 946-3003

## FL545 MEDIUM FLOOD

### Design Features:

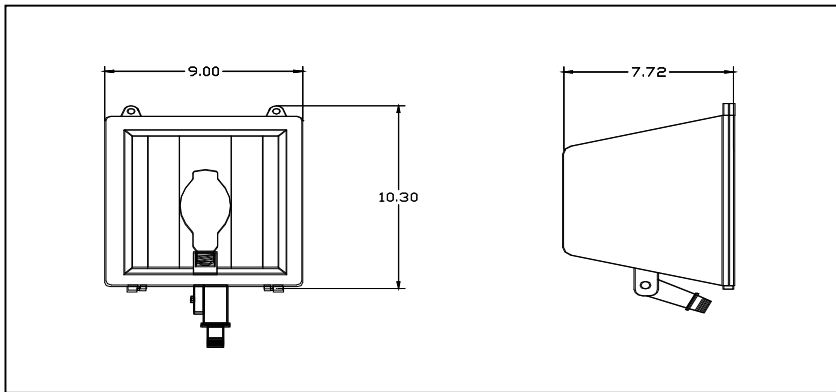
Die-Cast Aluminum housing for durability with Chromate Conversion Coating, Textured Bronze Finish  
 Die-Cast Aluminium Lens Frame  
 One Piece Anodized Aluminium Reflector  
 E-39 4KV Medium Base Lamp Holder  
 High Impact Tempered Glass Lens  
 Adjustable Knuckle or Slip Fitter  
 Photocell Adaptable  
 Meets **UL & CSA LISTED** requirements for Wet Locations  
 Ideal for **150watt HPS MAX , 175watt MH MAX**

### Applications:

Buildings, Parks, Signs, Backyards and Other General Flood Lighting Applications

### Owner Benefits:

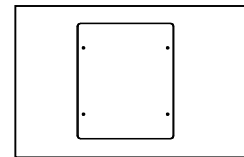
VALUE - high benefit to cost ratio with proven system design & components - **Made in USA**  
 Full **One Year Warranty** - Environmentally friendly  
 Each luminaire is tested before shipping



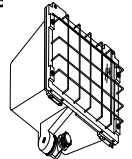
EPA-.72 FT CU  
 10.62 LBS EA

**DIMENSIONS**

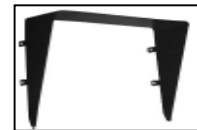
### ACCESSORIES



**VANDAL GUARD**



**WIRE GUARD**



**GLARE SHIELD**

## ORDERING INFORMATION

<u>Product</u>	<u>Wattage</u>	<u>Lamp</u>	<u>Voltage</u>	<u>Accessories</u>
Example: <b><u>FL545SF</u></b>	<b><u>15</u></b> 150 WATT	<b><u>HPS</u></b> High Pressure Sodium	<b><u>120</u></b> 120 VOLT	<b><u>WG</u></b> Wire Guard

### Ordering Options

<u>Product</u>	<u>Wattage</u>	<u>Lamp</u>	<u>Voltage</u>	<u>Accessories</u>
<b>FL545 =</b>	<b>7=70W</b>	<b>HP = HPS</b>	<b>120 = 120V</b>	<b>GS=Glare Shield</b>
<b>ADJ KNUCKLE</b>	<b>10=100W</b>	<b>MH=Metal Halide</b>	<b>208 = 208V</b>	<b>WG=Wire Guard</b>
<b>FL545SF=</b>	<b>15=150W</b>	<b>INC=Incandescent</b>	<b>240 = 240V</b>	<b>VG=Vandal Guard</b>
<b>SLIP FITTER</b>	<b>17=175W</b>		<b>277 = 277V</b>	
			<b>480 = 480V</b>	
			<b>MT = 120/208/240/277</b>	

**Project:** \_\_\_\_\_

**Date:** \_\_\_\_\_

**Approved by:** \_\_\_\_\_