



# Eagle Lighting Inc. Lighting the Way with Value

1782 East Person Memphis, TN 38114 Phone (901) 948-3225 & Fax (901) 946-3003

## FL-65000 COMPACT REMOTE FLOOD

### Design Features:

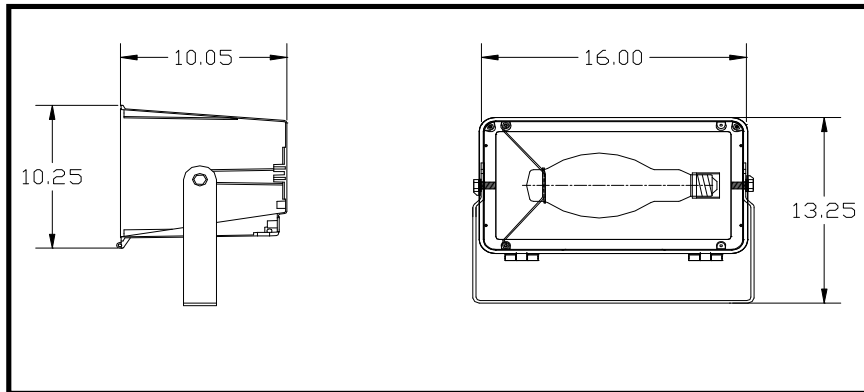
Die-Cast **Aluminum** housing for durability with Chromate Conversion Coating, Textured Bronze Finish  
**Die-Cast** Aluminium Lens Frame  
One Piece Anodized Aluminium Reflector  
5 KV Mogul Base Lamp Holder  
High Impact Tempered Glass Lens  
**Heavy Duty** Adjustable Yoke  
60" SEOW Cord with **Quick-Connect**  
Meets **UL& CSA LISTED** requirements for Wet Locations  
Ideal for 1000 **watt MH MAX**  
6H x 5V **Nema Distribution Standard**

### Applications:

Lighting Equipment, Light Towers &  
Other General Flood Lighting Applications

### Owner Benefits:

VALUE - high benefit to cost ratio with proven system design & components - **Made in USA**  
Full **One Year Warranty** - Environmentally friendly  
Each luminaire is tested before shipping  
**Lamp Included**



EPA-1.40 FT CU  
10.62 LBS EA

**DIMENSIONS**

### ORDERING INFORMATION

Product                      Wattage                      Lamp                      Cord

Example:                      **FL6500**                      **1X**  
1000 W                      **MH**                      **QC**  
Metal Halide                      Quick Connect

### **Ordering Options**

Product                      Wattage                      Lamp                      Cord  
**FL650 =**                      **40=400W**                      **HP = HPS**                      **QC = Quick connect**  
                                         **1X=1000W**                      **MH= Metal Halide**                      **HW = Hard Wire**  
                                         **INC=Incandescent**

**Project:** \_\_\_\_\_

**Date:** \_\_\_\_\_

**Approved by:** \_\_\_\_\_