



Eagle Lighting Inc. Lighting the Way with Value

1782 East Person Memphis, TN 38114 Phone (901) 948-3225 & Fax (901) 946-3003

REMOTE ELEPTICAL FLOOD

Design Features:

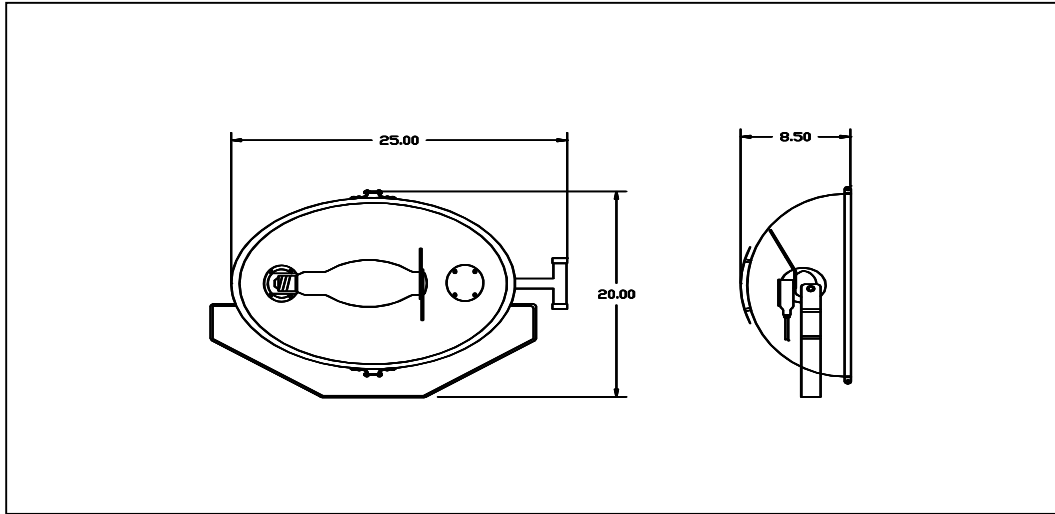
Rugged **die-cast aluminum** housing for durability with **Horizontal Burn Lamp** for **Maximum Efficiency**.
 Adjustable one bolt mounting for crossarms.
 One Piece **Aluminium Anodized Reflector**
 Tempered Glass Lens
 Horizontal & Vertical Aim Handles
 Meets **UL 1572** for Wet Locations
Photometric Reports & Files available upon request.
 Suitable for **1000W MH & HPS Max**
 5ft Cord with Male **Quick Connect**.

Applications:

Stadiums, Sports Fields, Speedways
 Storage Areas, Public Parks

Owner Benefits:

VALUE - high benefit to cost ratio with proven system design & components - **Made in USA**
 Full **One Year Warranty** - Environmentally friendly
 Each luminaire is tested before shipping
HID Lamp Included.



1 PER CARTON

EPA = 2.29

WEIGHT = 14.5 lbs.

ORDERING INFORMATION

| <u>Product</u> | <u>Wattage</u> | <u>Lamp</u> | <u>Cord</u> |
|-----------------------------------|---|--|--------------------------------|
| FL850 Eleptical Flood | 1x 1000W | MH Metal Halide | 1 None |
| Ordering Options | | | |
| <u>Product</u> | <u>Wattage</u> | <u>Lamp</u> | <u>Cord</u> |
| FL850 = Eleptical Flood | 40 = 400W 1X = 1000W 15X = 1500W | HP = HPS MV = Mercury MH = Metal Halide | QC = 1 HW = 2 |

Project: _____

Date: _____

Approved by: _____

