



## HB610 HID HIGH BAY

### Design Features:

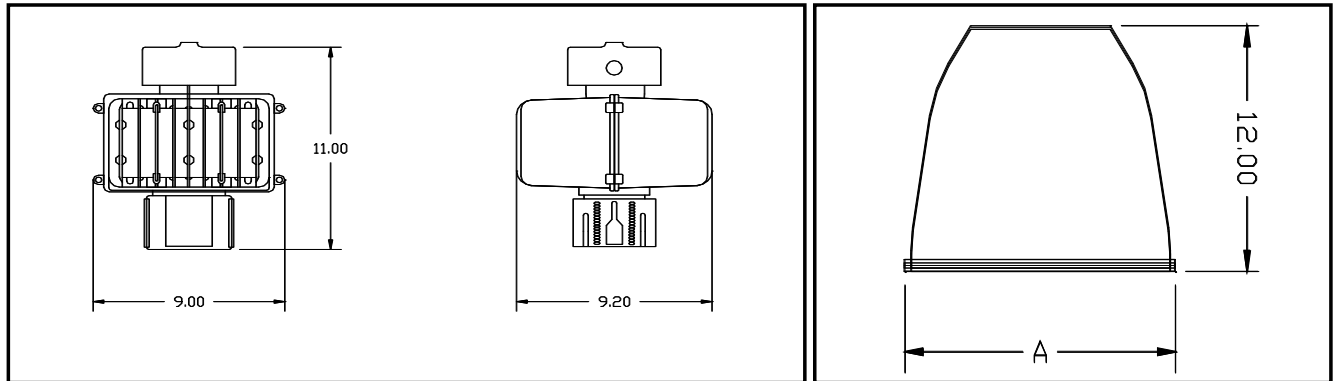
Die-Cast Aluminum housing for durability with Chromate Conversion Coating, White Finish  
 Porcelain **MOGUL** 4KV Base Socket  
 Spun Anodized Aluminium Reflector  
 Flat Glass & ClampBand Sold Separately  
**Mounting Hook** for Fixture Mount  
 Meets **UL & CSA LISTED** requirements  
 Ideal for **400W Metal Halide** or 250W HPS

### Applications:

Commercial buildings, Warehouses, &  
 Other General Lighting Applications

### Owner Benefits:

VALUE - high benefit to cost ratio with proven system design & components - **Made in USA**  
 Full **One Year Warranty** - Environmentally friendly  
 Each luminaire is tested before shipping  
**HID Lamp Included.**



EPA - .85 FT CU  
 18-20 LBS EA

DIMENSIONS

DIMENSIONS

## ORDERING INFORMATION

|          | <u>Product</u>       | <u>Wattage</u>               | <u>Lamp</u>                               | <u>Voltage</u>                | <u>Reflector</u>                |
|----------|----------------------|------------------------------|---|-------------------------------|---------------------------------|
| Example: | <b><u>HB610W</u></b> | <b><u>40</u></b><br>400 WATT | <b><u>HPS</u></b><br>High Pressure Sodium | <b><u>120</u></b><br>120 VOLT | <b><u>16GL</u></b><br>Reflector |

### Ordering Options

| <u>Product</u>              | <u>Wattage</u>                       | <u>Lamp</u>                               | <u>Voltage</u>  | <u>Reflector</u>  |
|-----------------------------|--------------------------------------|---|---|---|
| <b>HB610W</b>               | <b>40 = 400W</b><br><b>25 = 250W</b> | <b>HP = HPS</b><br><b>MH=Metal Halide</b> | <b>120 = 120V</b><br><b>208 = 208V</b><br><b>240 = 240V</b><br><b>277 = 277V</b><br><b>480 = 480V</b> | <b>16 = 16" Dia</b><br><b>18 = 18" Dia</b><br><b>22 = 22" Dia</b><br><br>Add GL for Acrylic |
| <b>MT = 120/208/240/277</b> |                                      |   |   |   |

| Lamp Type    | ANSI       | Lamp Watts | Volts               | Line Amps (Oprrng)       | Input Watts | Circuit Type |
|--------------|------------|------------|---------------------|--------------------------|-------------|--------------|
| HPS          | S50        | 250        | 120/208/240/277/480 | 2.5/ 1.4/ 1.2/ 1.1/ .60  | 300         | CWA          |
| HPS          | S51        | 400        | 120/208/240/277/480 | 4.0 /2.2 /1.9 /1.6 /1.0  | 465         | CWA          |
| Metal Halide | M58 OR H37 | 250        | 120/208/240/277/480 | 2.5/ 1.4/ 1.25/ 1.1/ .65 | 280         | CWA          |
| Metal Halide | M59 OR H33 | 400        | 120/208/240/277/480 | 4.0 /2.3 /2.0 /1.7 /1.0  | 458         | CWA          |

Project: \_\_\_\_\_

Date: \_\_\_\_\_

Approved by: \_\_\_\_\_