



HB610W OPEN LAMP HIGH BAY

Design Features:

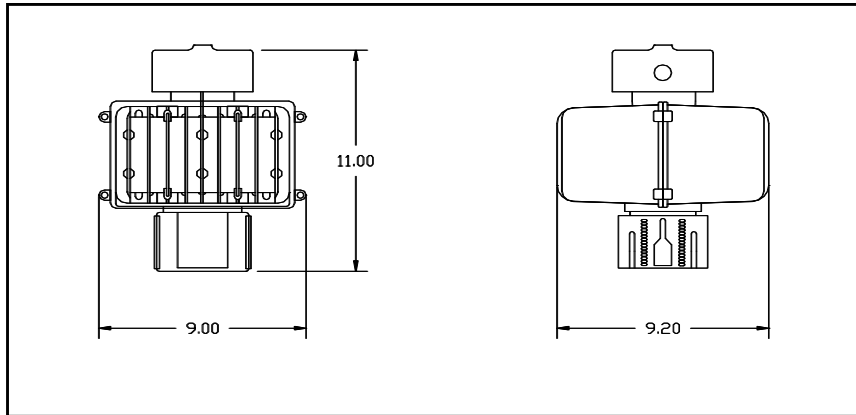
Die-Cast Aluminum housing for durability with Chromate Conversion Coating, White Finish
 Porcelain **MOGUL** 4KV Base Socket
 Optional **Wire Guard** for Lamp Protection
 Mounting Hook for Fixture Mount
 Meets **UL & CSA LISTED** requirements
 Ideal for **400W Metal Halide** or 250W HPS

Applications:

Commercial buildings, Warehouses, & Other General Lighting Applications

Owner Benefits:

VALUE - high benefit to cost ratio with proven system design & components - **Made in USA**
 Full **One Year Warranty** - Environmentally friendly
 Each luminaire is tested before shipping



EPA - .85 FT CU
 18-20 LBS EA

DIMENSIONS

ORDERING INFORMATION

	<u>Product</u>	<u>Wattage</u>	<u>Lamp</u>	<u>Voltage</u>	<u>Accessories</u>
Example:	<u>HB610W</u>	<u>40</u> 400 WATT	<u>HPS</u> High Pressure Sodium	<u>120</u> 120 VOLT	<u>WG</u> Wire Guard

Ordering Options

<u>Product</u>	<u>Wattage</u>	<u>Lamp</u>	<u>Voltage</u>	<u>Accessories</u>
<u>HB610W</u>	40 = 400W 25 = 250W	HP = HPS MH=Metal Halide	120 = 120V 208 = 208V 240 = 240V 277 = 277V 480 = 480V	WG=Wire Guard
MT = 120/208/240/277				

Lamp Type	ANSI	Lamp Watts	Volts	Line Amps (Oprrng)	Input Watts	Circuit Type
HPS	S50	250	120/208/240/277/480	2.5/ 1.4/ 1.2/ 1.1/ .60	300	CWA
HPS	S51	400	120/208/240/277/480	4.0 /2.2 /1.9 /1.6 /1.0	465	CWA
Metal Halide	M58 OR H37	250	120/208/240/277/480	2.5/ 1.4/ 1.25/ 1.1/ .65	280	CWA
Metal Halide	M59 OR H33	400	120/208/240/277/480	4.0 /2.3 /2.0 /1.7 /1.0	458	CWA

Project: _____

Date: _____

Approved by: _____