



Sports Flood Luminaire

Design Features:

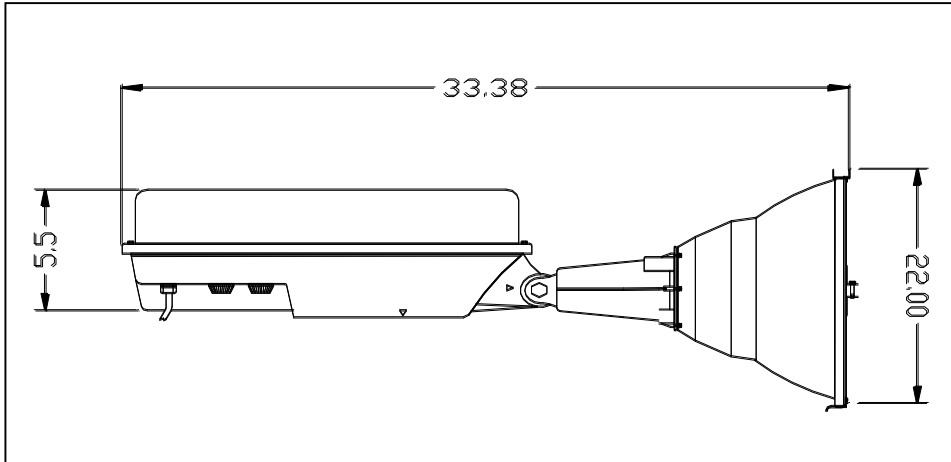
Rugged **die-cast aluminum** housing for durability with Power Coat paint finish for corrosion resistance.
 Adjustable one bolt mounting for crossarms.
 Spun **Aluminium Anodized** Reflectors
 22" **Tempered Glass** with Spun Aluminium Reflector.
 Easy Horizontal & Vertical Aim
 All units include Protractors & Optic Sights.
Photometric Reports & Files available upon request.

Applications:

Stadiums, Sports Fields, Speedways
 Storage Areas, Public Parks

Owner Benefits:

VALUE - high benefit to cost ratio with proven system design & components - **Made in USA**
 Full **One Year Warranty** - Environmentally friendly
 Each luminaire is tested before shipping
HID Lamp Included.



HOUSING
1 PER CARTON

EPA = 2.25 cu ft
WEIGHT = 46.10 lbs.

REFLECTOR
1 PER CARTON

EPA = 3.00 cu ft
Weight = 4.00 lbs

ORDERING INFORMATION

<u>Product</u>	<u>Wattage</u>	<u>Lamp</u>	<u>Voltage</u>	<u>NEMA</u>	<u>Fused</u>
SF SportFlood	1000 1000W	MH Metal Halide	240 240 Volt	3N Type 3 Narrow	0 Non Fused

Ordering Options

<u>Product</u>	<u>Wattage</u>	<u>Lamp</u>	<u>Voltage</u>	<u>NEMA</u>	<u>Fused</u>
SF =	40 = 400W	HP = HPS	120 = 120V	3N = Type 3 Narrow	0 = Non Fused
Sports Flood	1X = 1000W	MV = Mercury	208 = 208V	4N = Type 4 Medium	1 = Single Fused
	15X = 1500W	MH = Metal Halide	240 = 240V	5N = Type 5 Medium	2 = Dbl. Fused
			277 = 277V	6N = Type 6 Wide	
			480 = 480V		
			MT = 120/208/240/277		

<u>Lamp Type</u>	<u>ANSI</u>	<u>Lamp Watts</u>	<u>Volts</u>	<u>Line Amps (Oprng)</u>	<u>Input Watts</u>	<u>Circuit Type</u>
Metal Halide	M59 OR H33	400	120/208/240/277/480	4.0 / 2.3 / 2.0 / 1.7 / 1.0	458	CWA
Metal Halide	M47 OR H36	1000	120/208/240/277/480	9.0 / 5.0 / 4.6 / 4.0 / 2.3	1060	CWA
Metal Halide	M48	1500	120/208/240/277/480	14.0 / 8.0 / 7.0 / 6.0 / 3.6	1610	CWA

Project: _____

Date: _____

Approved by: _____