



HID CANOPY 12 X 12

Design Features:

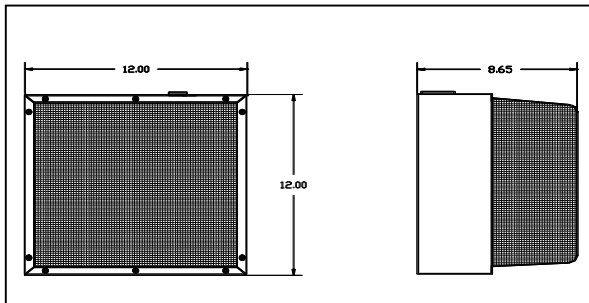
Rugged die-cast aluminum housing for durability with Chromate Conversion Coating, Textured Bronze Finish
 One Piece White polyester Finish Reflector
 Porcelain Medium Socket
 Polycarbonate Refractor and Removable
 Conduit Access Back, Bottom, & Sides
 Silicone Rubber Gasket to Prevent Leakage
 Photocell Adaptable
 Meets **UL LISTED 1472** requirements for Wet Locations
 Ideal for **175W MH** or **150W HPS MAX**

Applications:

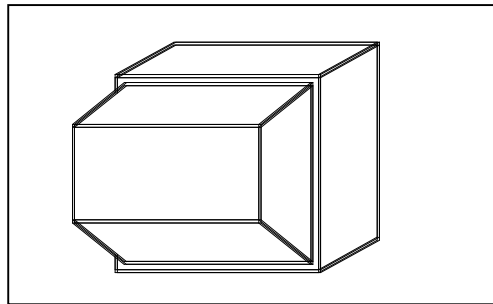
Storage Areas, Parking Areas, Tunnels
 Underpasses, Loading Docks & Garages

Owner Benefits:

VALUE - high benefit to cost ratio with proven system design & components - **Made in USA**
 Full **One Year Warranty** - Environmentally friendly
 Each luminaire is tested before shipping
Lamp Included.

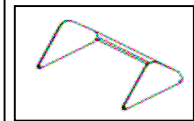


DIMENSIONS



LINE DRAWING

ACCESSORIES



HOOD

EPA-.878 FT CU
 15.07 LBS EA

ORDERING INFORMATION

<u>Product</u>	<u>Wattage</u>	<u>Lamp</u>	<u>Voltage</u>	<u>Refractor</u>
Example: <u>VN1212</u>	<u>15</u> 150 WATT	<u>HPS</u> High Pressure Sodium	<u>120</u> 120 Volt	<u>0</u> Wire Guard

Ordering Options

<u>Product</u>	<u>Wattage</u>	<u>Lamp</u>	<u>Voltage</u>	<u>Refractor</u>
<u>VN1212</u> = Canopy	10 = 100W 15 = 150W 17 = 175W	HP = HPS MH = Metal Halide MV = Mercury Vapor	120 = 120V 208 = 208V 240 = 240V 277 = 277V MT = 120/208/240/277	0 = Clear 1 = White

<u>Lamp Type</u>	<u>ANSI</u>	<u>Lamp Watts</u>	<u>Volts</u>	<u>Line Amps (Oprtn)</u>	<u>Input Watts</u>	<u>Circuit Type</u>
Metal Halide	M90, M92	100	120/208/240/277	1.15 / .64 / .50 / .44	130	HX-NPF
HPS	S54	100	120/208/240/277	1.12 / .65 / .60 / .52	122	HX-NPF
Metal Halide	M102 OR M142	150	120/208/240/277	1.57 / .91 / .81 / .74	185	CWA
HPS	S56	150	120/208/240/277	1.65 / 1.00 / .85 / .75	188	CWA
MH/MV	M57 OR H39	175	120/208/240/277	1.95 / 1.15 / .98 / .85	224	CWA

Date: _____

Approved by: _____

