



Eagle Lighting Inc. Lighting the Way with Value

1782 East Person Memphis, TN 38114 Phone (901) 948-3225 & Fax (901) 946-3003

WP100 SMALL WALL PACK

Design Features:

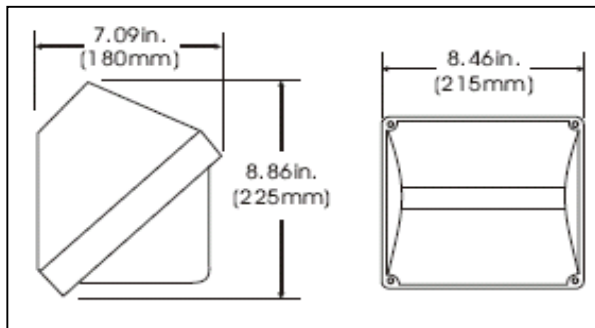
Rugged **die-cast aluminum** housing for durability with Power Coat paint finish for corrosion resistance.
 One Piece **Anodized Aluminium** Reflector
 Porcelain **Medium** Socket
High Impact Polycarbonate Refractor
 Conduit Access Back, Bottom, & Sides
Silicone Rubber Gasket to Prevent Leakage
 Meets **UL 1572** requirements for Wet Locations

Applications:

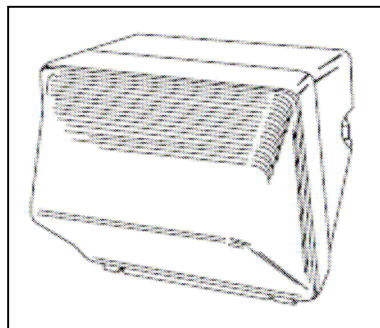
Storage Areas, Public Parks, & Commercial Buildings

Owner Benefits:

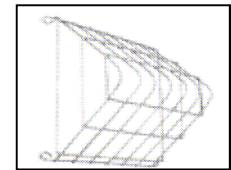
VALUE - high benefit to cost ratio with proven system design & components - **Made in USA**
 Full **One Year Warranty** - Environmentally friendly
 Each luminaire is tested before shipping
Lamp Included.



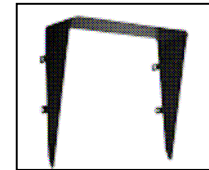
DIMENSIONS



LINE DRAWING



WIRE GUARD



VISOR

EPA-3.026 FT CU
 4.938LBS EA

ORDERING INFORMATION

	<u>Product</u>	<u>Wattage</u>	<u>Lamp</u>	<u>Voltage</u>	<u>Accessories</u>
Example:	<u>WP100</u>	<u>10</u> 100 WATT	<u>HP</u> HPS	<u>240</u> 240 Volt	<u>PC</u> Photocontrol

Ordering Options

<u>Product</u>	<u>Wattage</u>	<u>Lamp</u>	<u>Voltage</u>	<u>Accessories</u>
WP100 = Wall Pack	10=100W 07= 70W 05 = 50W	HP = HPS MV = Mercury MH = Metal Halide INC=Incandescent	120 = 120V 208 = 208V 240 = 240V 277 = 277V	WG=Wire Guard VG=Vandal Guard VS=Visor PC=Photocontrol

MT = 120/208/240/277

Lamp Type	ANSI	Lamp Watts	Volts	Line Amps (Oprtn)	Input Watts	Circuit Type
Metal Halide	M90, M92	100	120/208/240/277	1.15 / .64 / .50 / .44	130	CWA
HPS	S54	100	120/208/240/277	1.12 / .65 / .60 / .52	122	HX-HPF
Metal Halide	M98	70	120/208/240/277	.77 / .46 / .4 / .35	94	HX-HPF
HPS	S62	70	120/208/240/277	.85 / .52 / .45 / .38	98	HX-HPF
HPS	S68	50	120/208/240/277	.54 / .32 / .28 / .24	65	HX-HPF

Data subject to change without notice
 Sheet # WP100-0705

Project: _____

Date: _____

Approved by: _____